

Merry Fisher

695

Sport serie 2

Merry Fisher 695 Sport Serie 2

## SUMMARY

- SPECIFICATIONS
- KEY POINTS
- EXTERIOR
- INTERIOR
- ATMOSPHERES
- ELECTRONIC PACKAGES
- TECHNICAL DATAS



JEANNEAU



### MAIN SPECIFICATIONS

Overall length :	With options .....	6,72 m	Cabin .....	1
	Without options .....	7,61 m	Berth .....	1
Hull length .....		6,45 m	Max engine power .....	200 HP / 165 Kw
Overall beam .....		2,53 m	Engine shaft length .....	Long (508 mm)
Draft .....		0,51 m	EC category .....	C – 8
Air draft .....		2,40 m	Designers .....	Centkowski & Denert design / ..... Jeanneau design
Weight (without engine) .....		1 552 Kg		
Fuel capacity .....		200 L		
Water capacity .....		50 L		

## Merry Fisher 695 Sport serie 2 : THE CLEVER SUV !

One year after the launch of the MERRY FISHER 895 Sport, Jeanneau is offering the adventurous SUV concept with the MERRY FISHER 695 Sport SERIE2.

With her tapered V-shaped hull, excellent performance at sea and clever layout, the MERRY FISHER 695 Sport SERIE2 is the ultimate multi-use boat.

This S.U.V. of the seas will be the ideal partner for Sport fishing outings and for adventure-seeking at sea. Her trailorable dimensions enable you to take her everywhere!

Once aboard, the MERRY FISHER 695 Sport SERIE2 is available with and without an aft sliding door to meet all needs and reveals an ingenious design, featuring a very wide side door and a 3rd co-pilot seat.

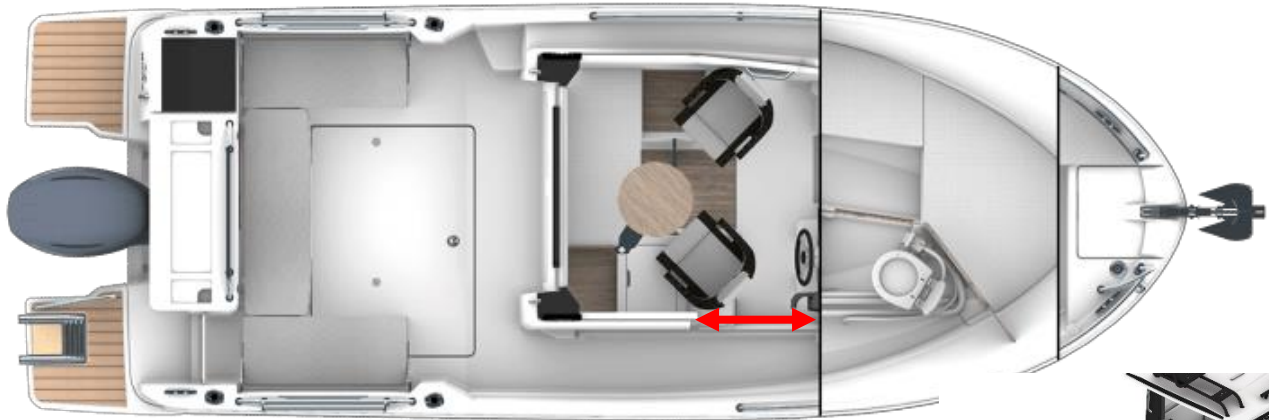
On the roof, a paddleboard can be secured, complementary equipment for adventure within a paddle's reach.

The generous and modular cockpit allows all activities such as fishing or family meals and opens onto a dedicated area for swimming. Wide swim platforms facilitate sea access.

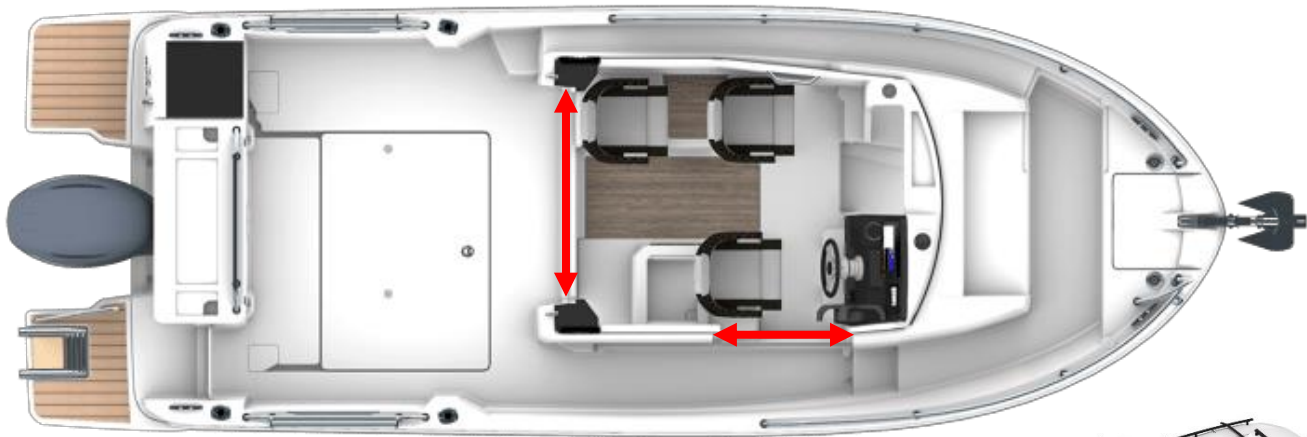
The new MERRY FISHER 695 Sport SERIE2 is very safe, with a recessed sidedeck and easy movement about the deck.

This SUV plays with space and offers a particularly enjoyable quality of life at sea!

1 DOOR VERSION – 1 lateral door on starboard side



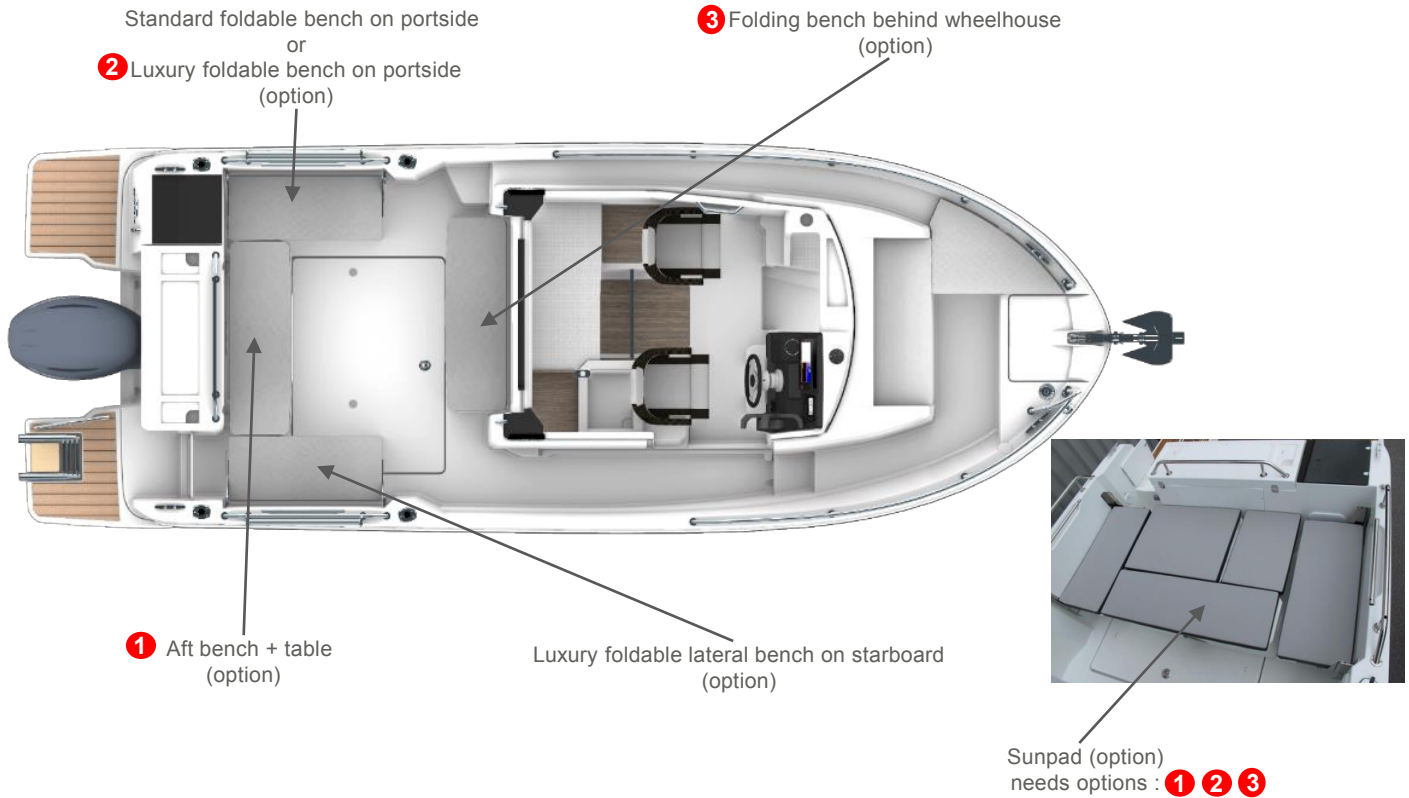
2 DOORS VERSION – 1 lateral door on starboard side + 1 aft sliding bay window



COCKPIT LAYOUT



1 DOOR VERSION – 1 lateral door on starboard side



1 DOOR VERSION – 1 lateral door on starboard side

1



2



3

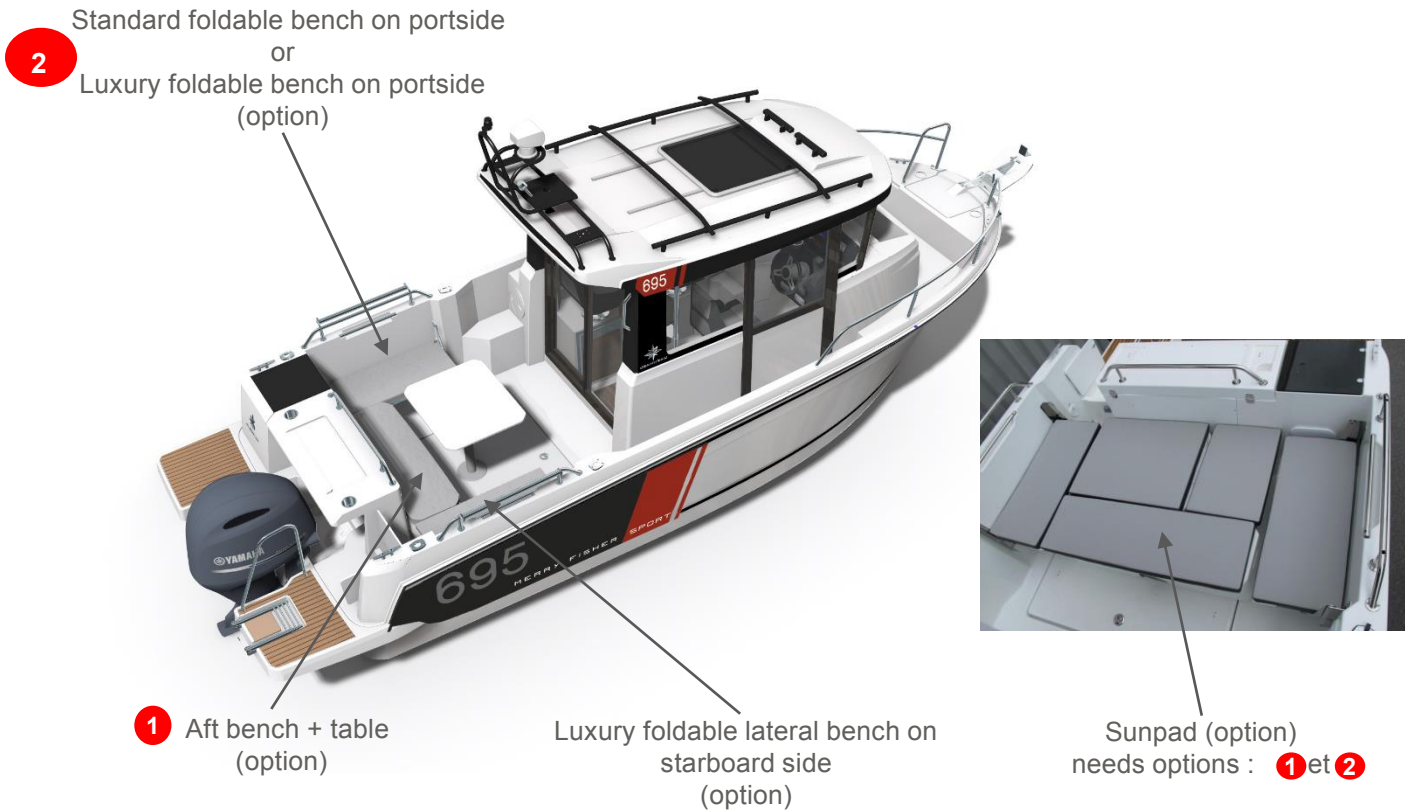


4

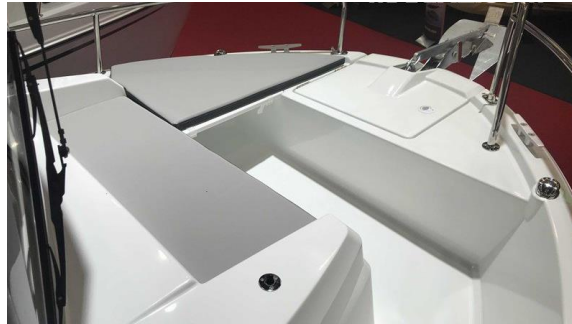




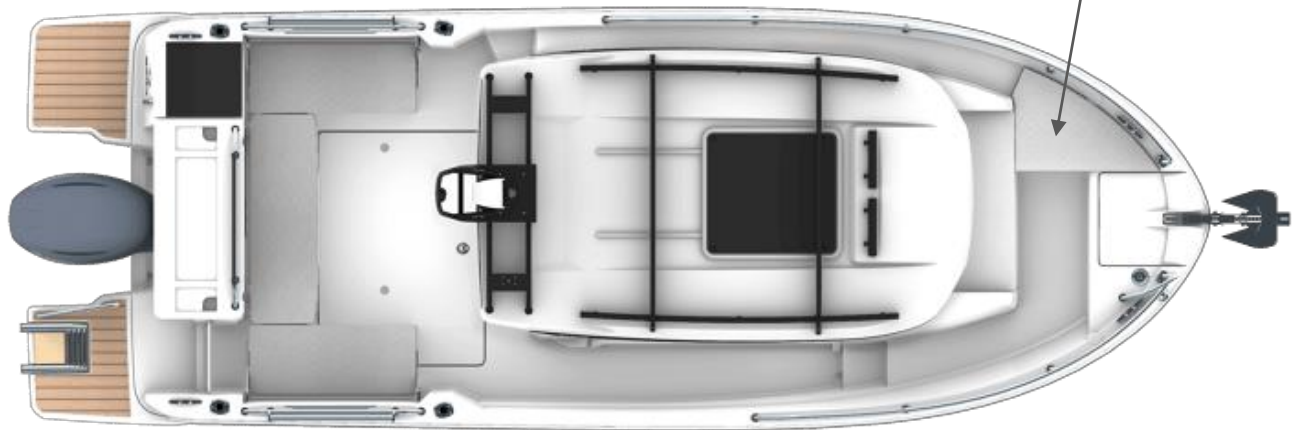
COCKPIT LAYOUT – 2 DOORS VERSION



FRONT COCKPIT



Removable seat  
(option)



FRONT COCKPIT



**Option** : Bow ladder with wooden platform



**Option :** Double steering in wheelhouse + cockpit

(sold within Yamaha pre-rigging only)

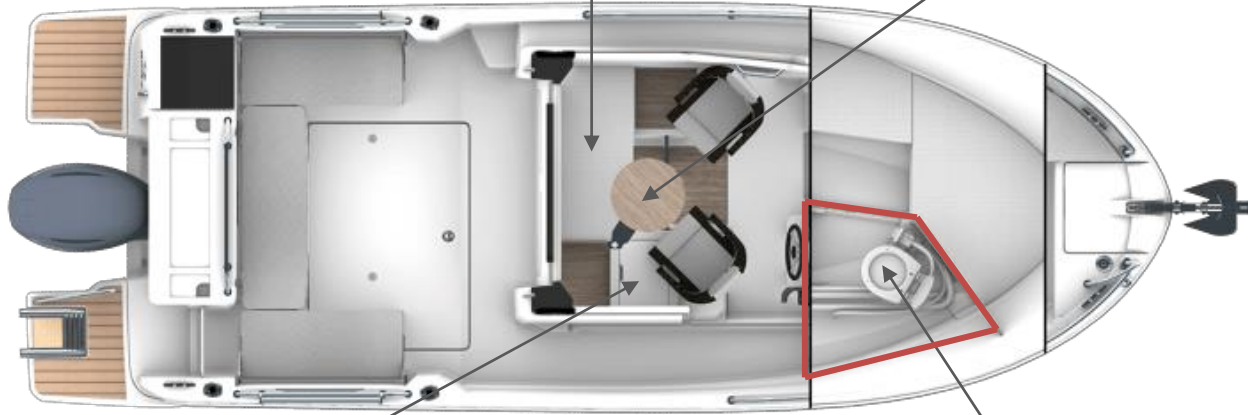


1 DOOR VERSION – 1 lateral door on starboard side



Aft bench

Folding saloon table on stainless steel pole (option)



Galley furniture on starboard side (option : water under pressure and fridge on battery)

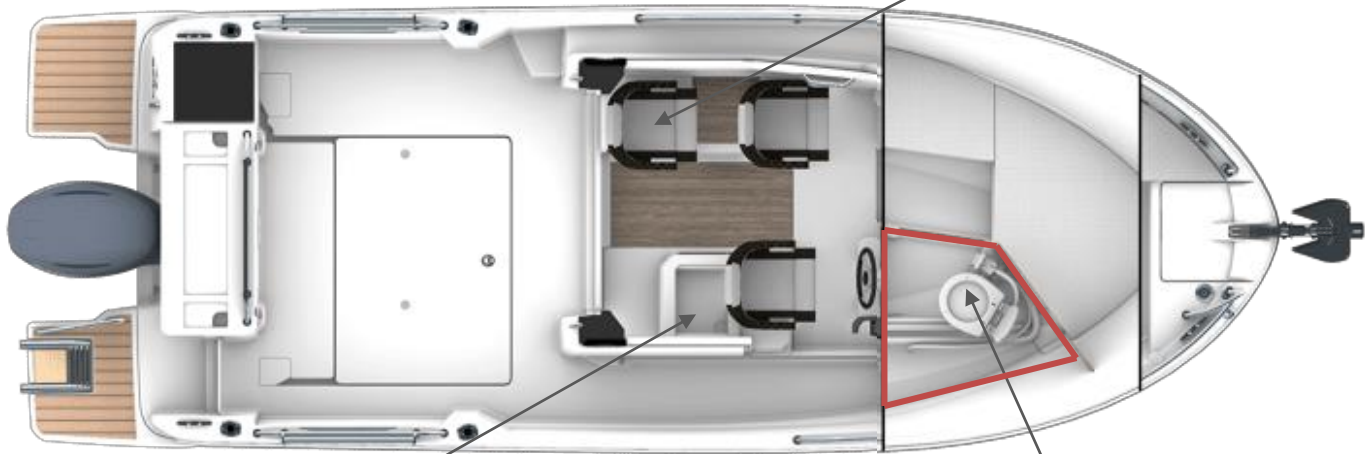
Enclosed toilet compartment with chemical or marine WC (options)

2 DOORS VERSION – 1 lateral door on starboard side + 1 aft sliding door



Folding saloon table on stainless steel pole (option)

3rd bolster seat (option)



Galley furniture on starboard side (option : water under pressure and fridge on battery)

Enclosed toilet compartment with chemical or marine WC (options)

2 DOORS VERSION – 1 lateral door on starboard side + 1 aft sliding bay window





CABIN AND HEAD – ENCLOSED COMPARTMENT VERSION



CANVAS



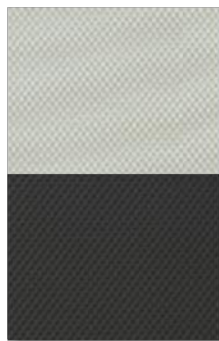
**Option : Cockpit sun awning**

*Design : Jeanneau - NV*

**MERRY FISHER**

**EXTÉRIEUR / EXTERIOR**

**SELLERIE /  
UPHOLSTERY**



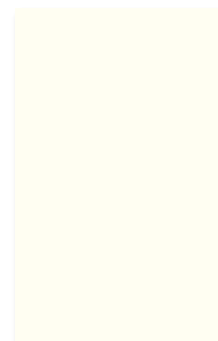
**DIAMANTE  
MOONLIGHT /  
DIAMANTE  
CARBON**

**CAPOTAGES /  
AWNINGS**



**SUNBRELLA  
GRAPHITE**

**PROTECTIONS /  
COVERS**



**PVC  
STAMOID  
WHITE**

**MERRY FISHER**

**INTÉRIEUR / INTERIOR**

**SELLERIE /  
UPHOLSTERY**



**JUMBO  
SILVER**

**MENUISERIES (Standard) /  
WOOD**

**MEUBLES /  
FURNITURES**

**WALNUT**

**FLOORBOARD /  
PLANCHERS**

**BROWN OAK**

