



## MAIN SPECIFICATIONS

Overall length :

With options ..... 7,19 m

Without options ..... 8,14 m

Hull length ..... 6,97 m

Overall beam ..... 2,82 m

Draft..... 0,92 m

Air draft ..... 2,36 m

Weight (without engine) ..... 2 177 Kg

Fuel capacity ..... 280 L

Water capacity ..... 100 L

Cab..... 1

Berth .....2

Max engine power ..... 250 HP / 186 Kw

EC category .....C – 9

Designers .....Centkowski & Denert design /  
..... Jeanneau design

## MERRY FISHER 795 SPORT Serie2, take the sea !

---

This boat is created for adventurous cruisers seeking new landscapes and intense experiences. Between exploring inlets, diving or snorkelling to observe the sea bottom, surfing or kitesurfing for intense sensations, and let's not forget fishing, the list of possible activities is long!

The new hull shines in her versatility, compatible with engines starting at 150 HP and up to 250 HP maximum engine power, for even more fun.

## On the exterior

---

The heritage of the line continues. This new boat offers large living areas, as well as an excellent flow of movement, due to deeply recessed sidedecks for safe passage between the aft and forward cockpits or to follow the catch, when on a fishing outing.

The generously sized open aft cockpit features a superb saloon, completely convertible to adapt to your needs. The three bench seats fold up to provide more open space.

The forward cockpit offers an unequalled level of comfort aboard a boat of this size, as this vast space, safe for fishing, can be transformed easily into a forward saloon for the family or a sundeck.

## On the interior

---

The interior is offered in two versions:

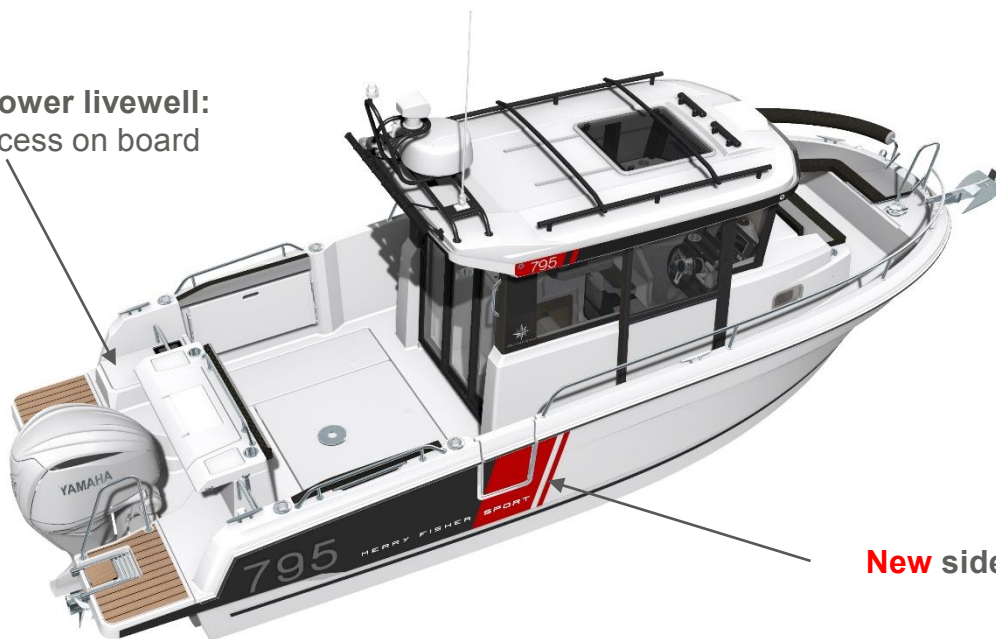
- A first version with a large aft sliding glass door, optimizing flow of movement to and from the exterior, with additional access by one or two side doors;
- A second version favours interior comfort, with a softer atmosphere, additional seating, and a saloon with facing seating which is accessed by two immense side doors. This second version is particularly attractive because it features an optional exterior galley with a gas stove or plancha.

The cabin is equipped with a large berth as well as a private head compartment.

The Merry Fisher 795 Sport Série2 has been entirely designed to offer exclusive moments close to nature, privileging outdoor spaces while offering protection from the elements while cruising.

AFT COCKPIT LAYOUT

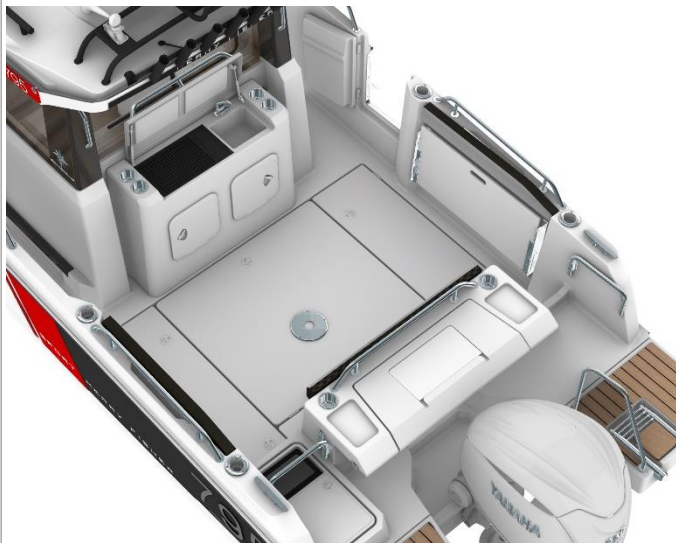
**Larger and lower livewell:**  
Excellent access on board



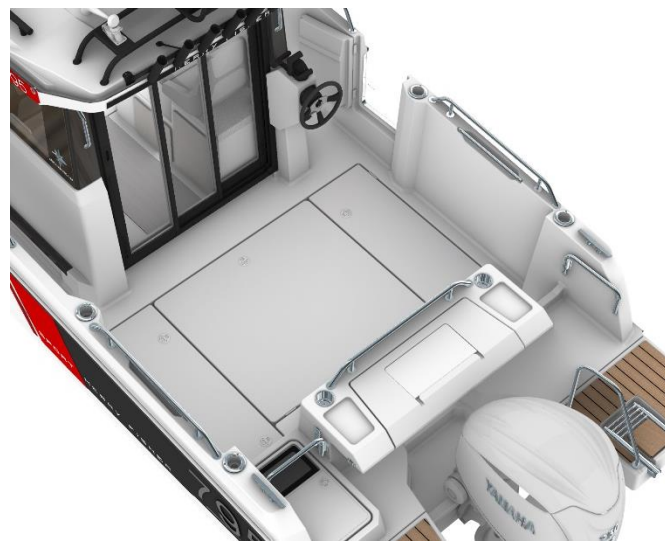
**New** side door

**Largest aft cockpit of the market:**  
Fully convertible  
3 folding benches

AFT COCKPIT LAYOUT



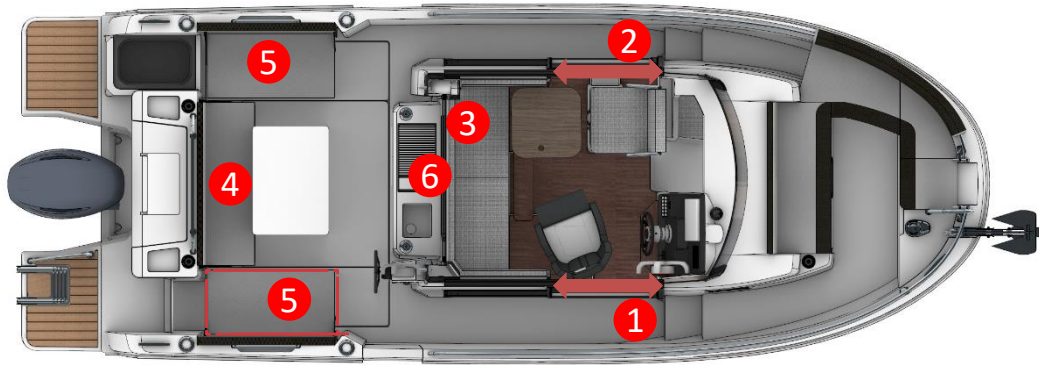
1 door version



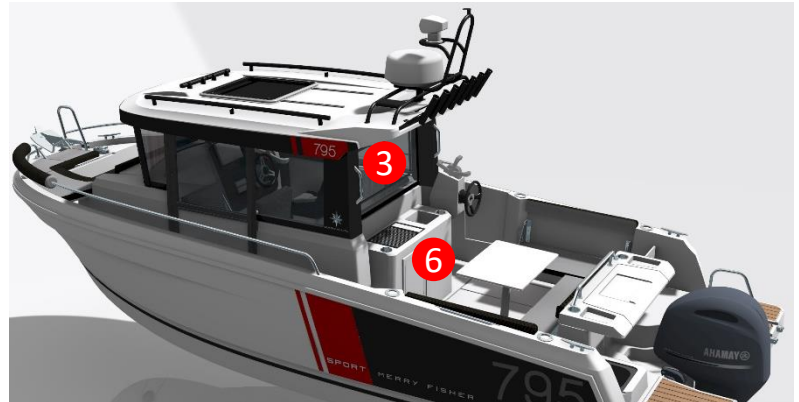
2 doors version

**New** option : EXTERIOR GALLEY (with plancha or livewell)

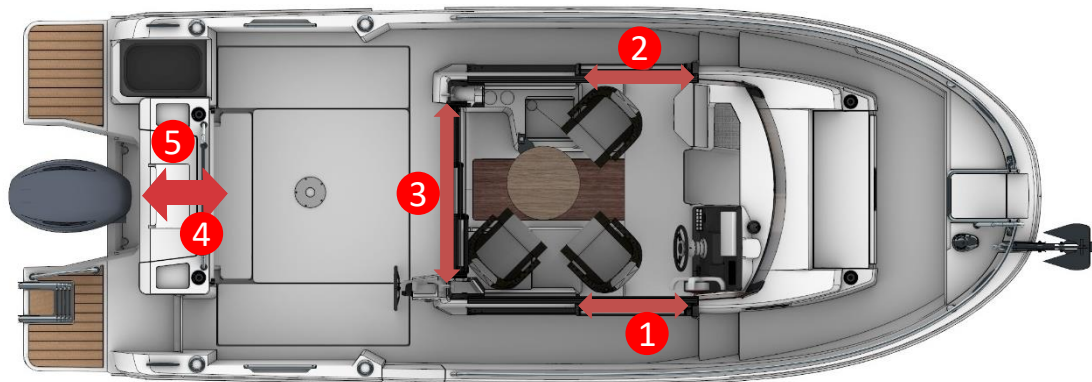
COMFORT VERSION (1/2 DOORS)



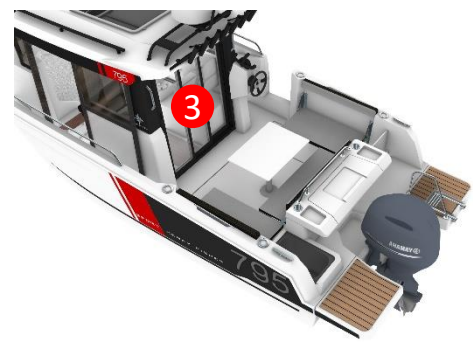
- 1 XXL starboard door (standard)
- 2 XXL portside door (option)
- 3 Aft window (standard)
- 4 Folding aft bench (standard)
- 5 Folding side benches (option)
- 6 Aft bench (option)  
And / or  
New exterior galley (option)



2-DOORS VERSION : SIDE DOOR + AFT BAY WINDOW



- 1 XXL starboard door (standard)
- 2 XXL portside door (option)
- 3 3-leaf sliding bay window (standard)
- 4 Folding aft bench (standard)
- 5 Sliding fishing table

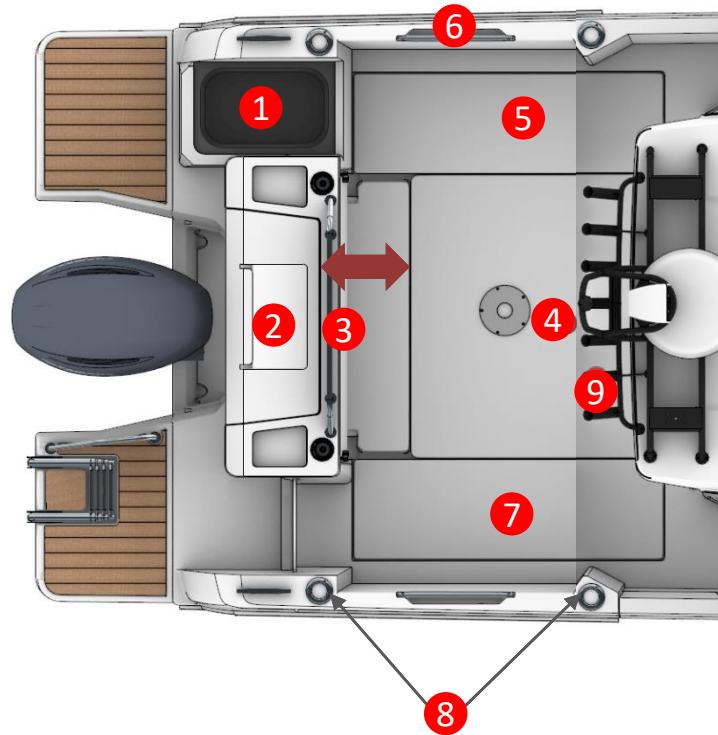


AN OPTIMIZED COCKPIT FOR FISHING

- 1 Livewell
- 2 Sliding fishing table with handrail, chopping board, cup holders
- 3 Folding aft bench
- 4 Central cockpit locker
- 5 2 side cockpit lockers
- 6 Additional side handrails + planking roll
- 7 Fish tank
- 8 Many rod holders

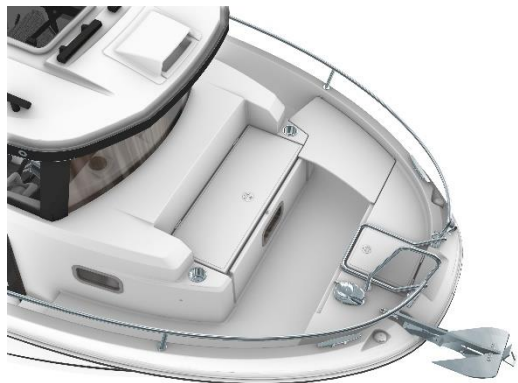
Your choice:

- 9 Additional rod holders on the roof
- 9 Sliding cockpit sun awning

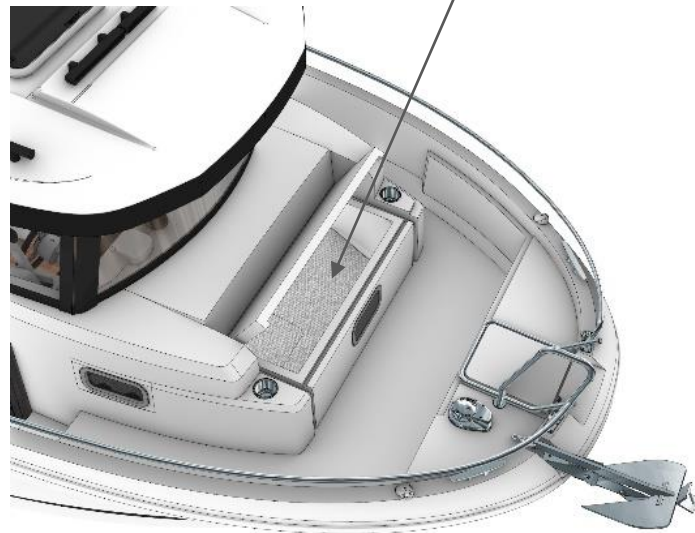


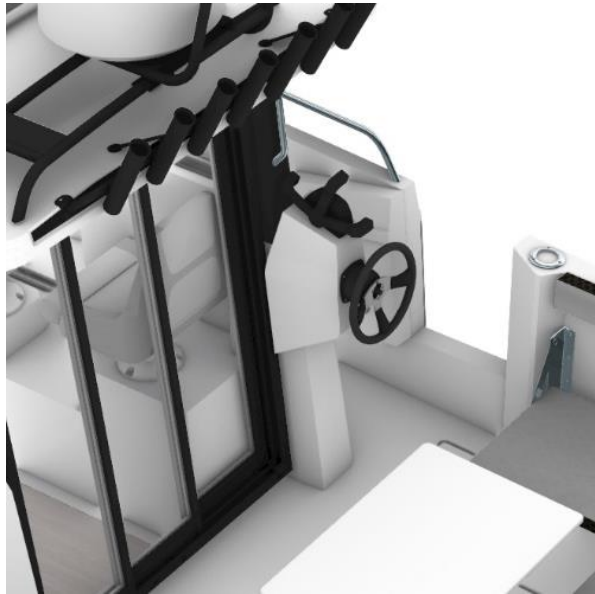


A TRUE FRONT COCKPIT



**New** opening cover  
(ventilation, direct access for storage)





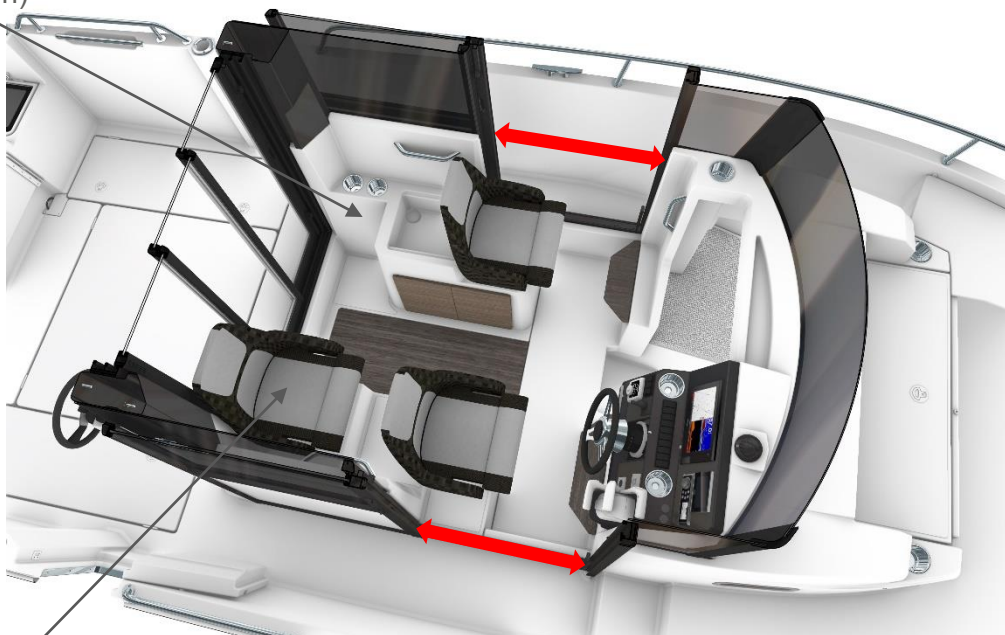
**Auxiliary pilot station in the cockpit**

**(for low speed use only)**

Only sold as Yamaha pre-rigging double steering electric

PERFECT CIRCULATION VERSION (2 / 3 DOORS)

Galley cabinet with sink  
(option)



3rd pilot seat  
(option)

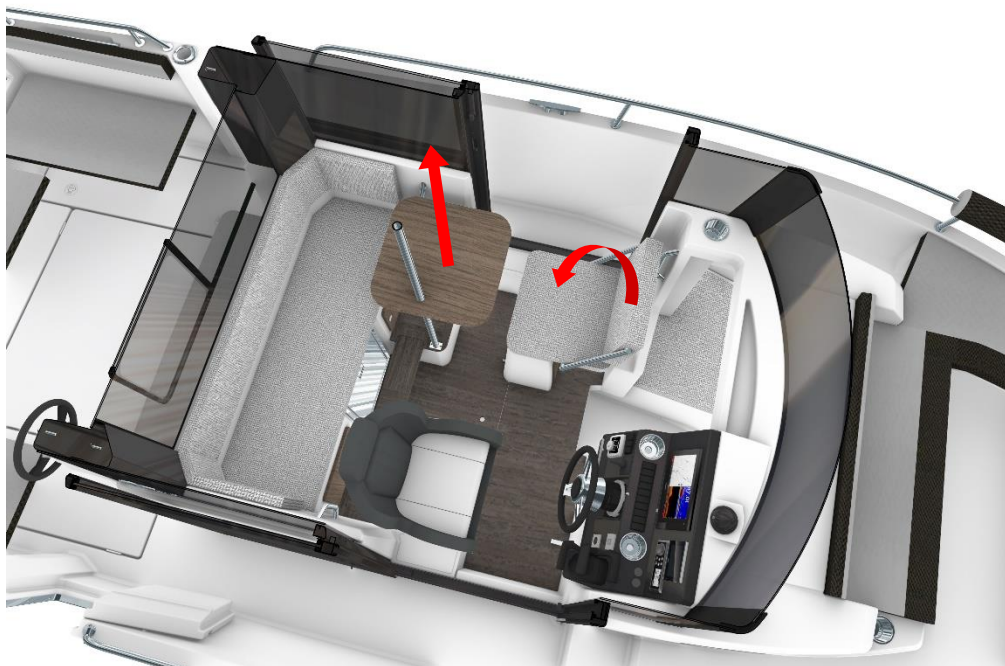
**New** XXL side doors  
(portside door in option)

COMFORT VERSION (1 / 2 DOORS)



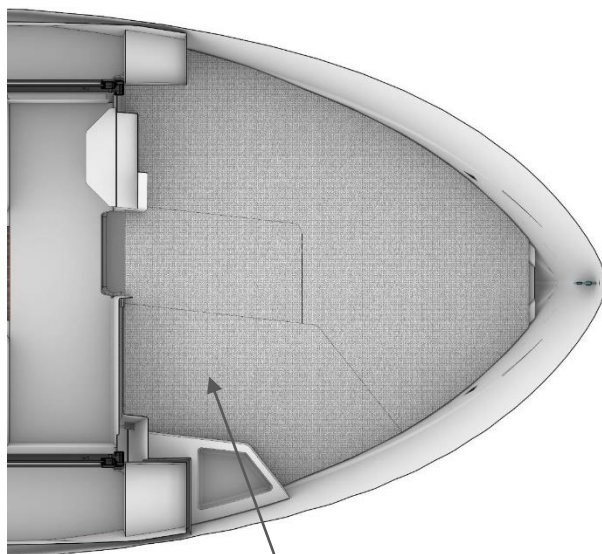
**New** Jeanneau co-pilot bench

COMFORT VERSION (1 / 2 DOORS)

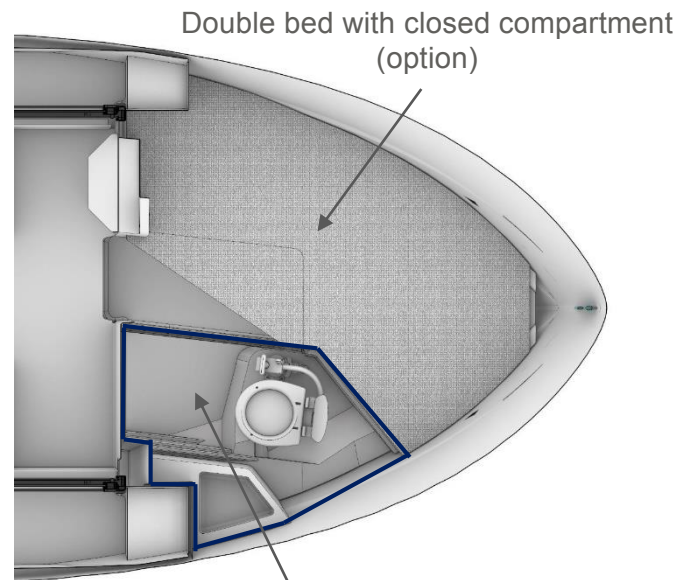


**Saloon table:** can be stored under the ceiling

CABIN LAYOUT



Double bed without closed compartment  
(option)



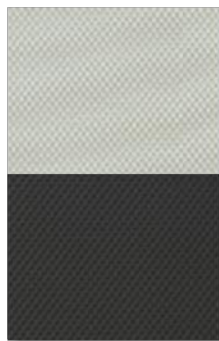
Double bed with closed compartment  
(option)

Closed toilet compartment  
(option)

MERRY FISHER

EXTERIOR / EXTERIOR

SELLERIE /  
UPHOLSTERY



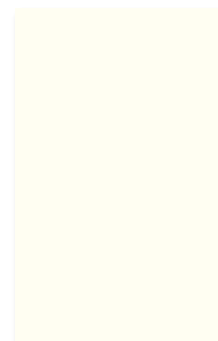
DIAMANTE  
MOONLIGHT /  
DIAMANTE  
CARBON

CAPOTAGES /  
AWNINGS



SUNBRELLA  
GRAPHITE

PROTECTIONS /  
COVERS



PVC STAMOID  
WHITE



**MERRY FISHER**

**INTERIOR / INTERIOR**

**SELLERIE /  
UPHOLSTERY**



**JUMBO SILVER**

**MENUISERIES (Standard) /  
WOOD**

**MEUBLES /  
FURNITURES  
WALNUT**

**FLOORBOARD /  
PLANCHERS  
BROWN OAK**

